

<p>Property Information: Insured: Joseph Coniglio Address: 758 Frable Road Brodheadsville, PA 18322 Property Type: Residential Date: 8/7/2018 Order Number: 2018_RTAT00406</p>	<p>Customer information Company/Adjuster: MSA Group Phone: (866) 593-4258 Email: Deanj@msagroup.com Contact: Dean Smith Website: N/A</p>
--	--

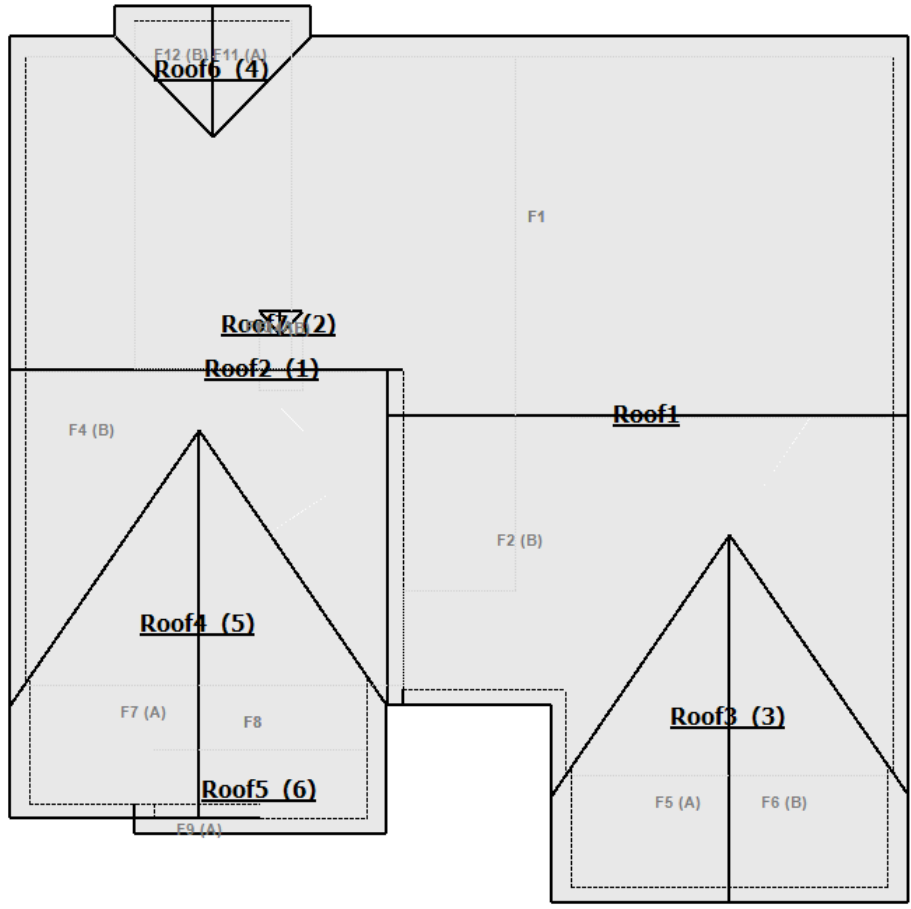
Roof Variables				Report Information
SQ Feet:	3864.54	Ridge:	121.29	Page 1: Property Overview
Squares:	38.65	Hip:	0.00	Page 2: Facets and pitch Values
Perimiter:	331.86	Valley:	120.09	Page 3: Measurements & Variables
Eave:	89.00	Rake:	242.50	Page 4: Notes



This report has been provided under a non-exclusive license from Ridge Top Aerial Technologies, LLC for a specific one time use subject to certain terms and conditions. The drawing and the intellectual property incorporated therein or utilized remain the sole property of Ridge Top Aerial Technologies, LLC. Any reproduction or distribution other than as contemplated by the terms and conditions previously agreed to by the parties is strictly prohibited. Copyright 2018 Ridge Top Aerial Technologies, LLC All Rights Reserved

<p>Property Information: Insured: Joseph Coniglio Address: 758 Frable Road Brodheadsville, PA 18322 Property Type: Residential Date: 8/7/2018 Order Number: 2018_RTAT00406</p>	<p>Customer information Company/Adjuster: MSA Group Phone: (866) 593-4258 Email: Deanj@msagroup.com Contact: Dean Smith Website: N/A</p>
--	--

Facet and Pitch Values



FACE	SQ FT	# SQs	Slope - Rise / 12
F1	1,608.66	16.09	7.00
F2	698.10	6.98	7.00
F4	409.03	4.09	7.00
F5	243.63	2.44	10.00
F6	243.63	2.44	10.00
F7	272.51	2.73	10.00
F8	283.58	2.84	10.00
F9	22.13	0.22	10.00
F11	40.33	0.40	7.00
F12	40.33	0.40	7.00
F13	1.30	0.01	7.00
F14	1.30	0.01	7.00
Estimated Total:	3864.54	38.65	

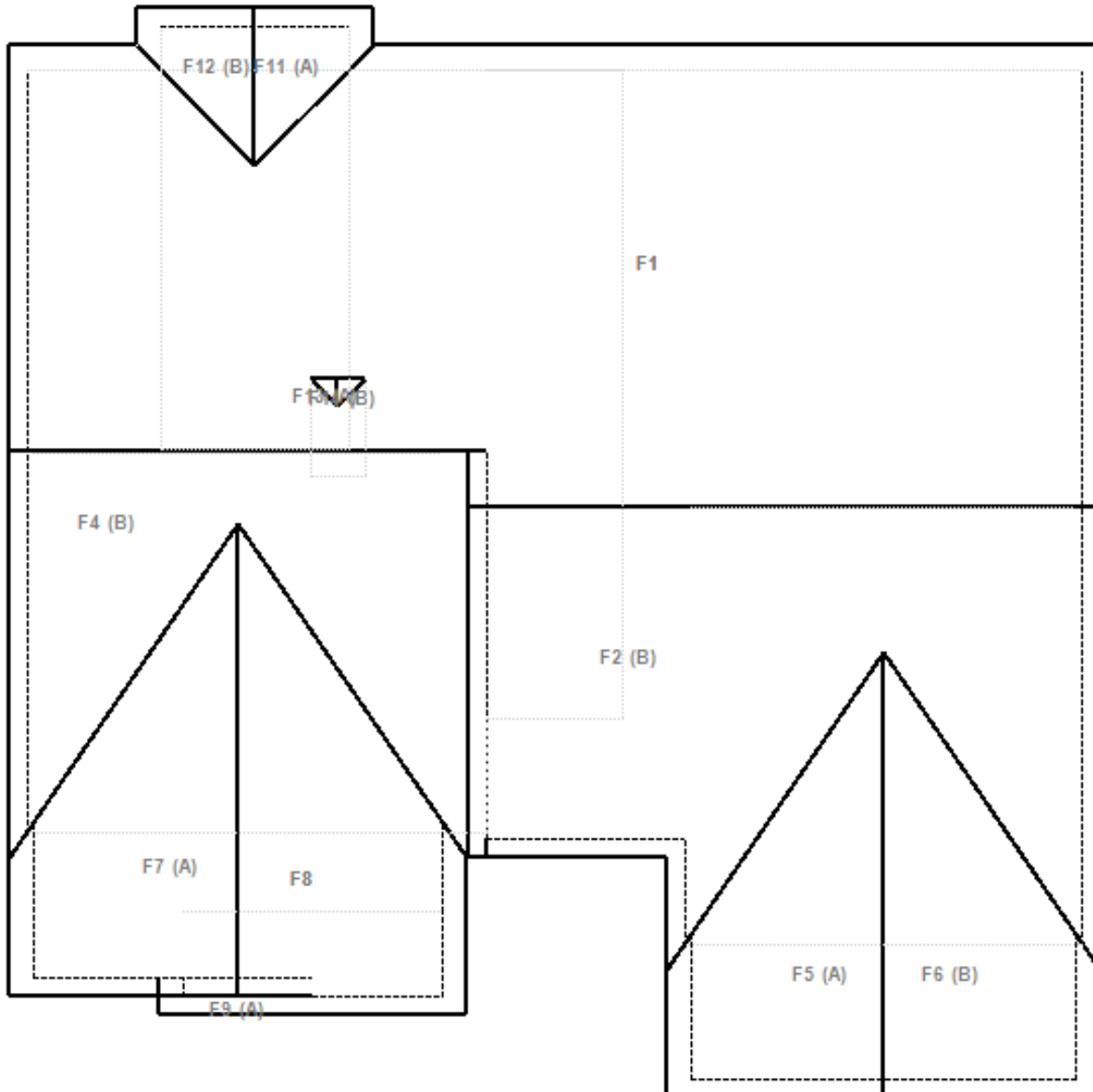
Property Information:

Insured: Joseph Coniglio
Address: 758 Frable Road Brodheadsville, PA 18322
Property Type: Residential
Date: 8/7/2018
Order Number: 2018_RTAT00406

Customer information

Company/Adjuster: MSA Group
Phone: (866) 593-4258
Email: Deanj@msagroup.com
Contact: Dean Smith
Website: N/A

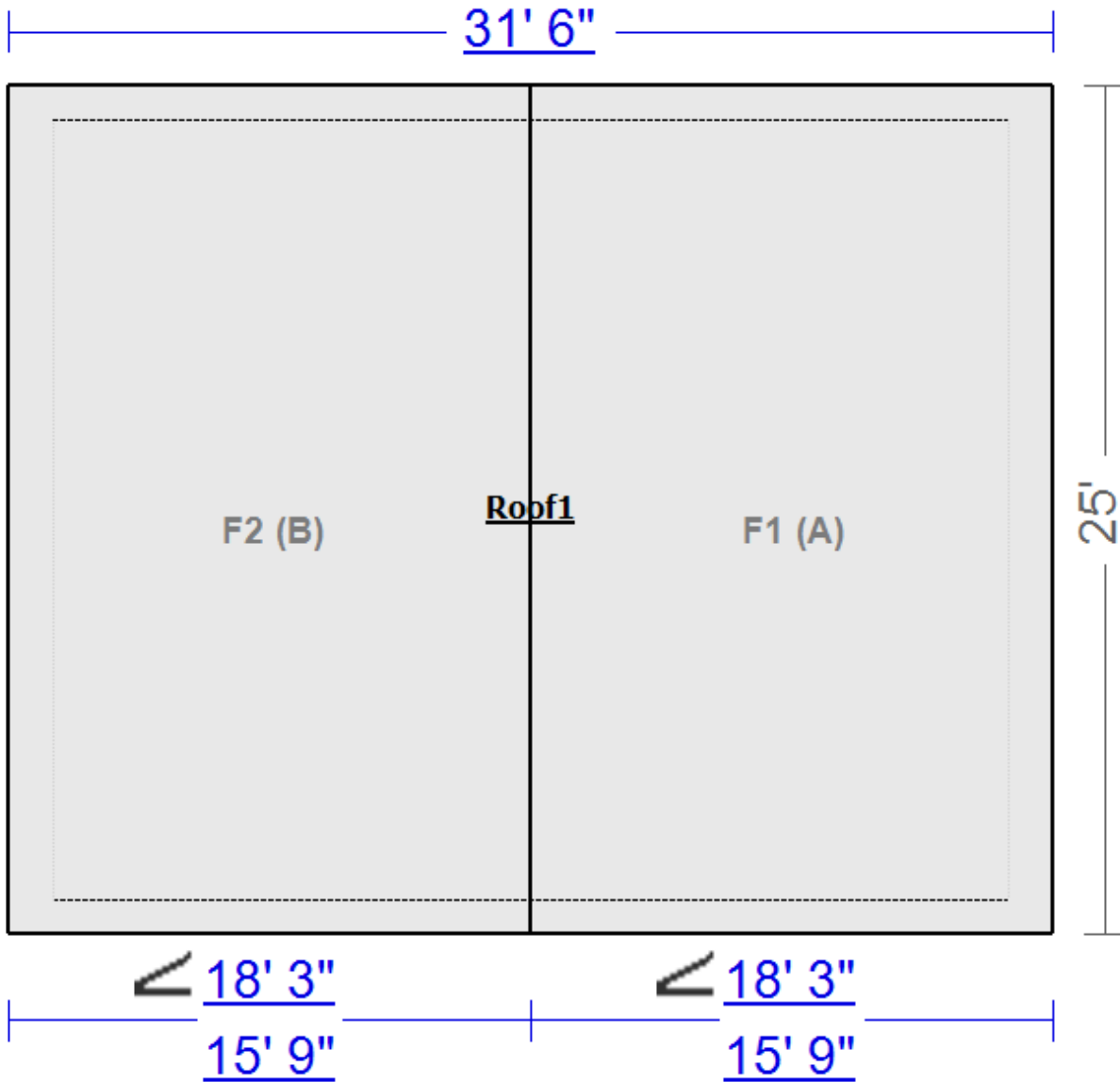
Notes



This report has been provided under a non-exclusive license from Ridge Top Aerial Technologies, LLC for a specific one time use subject to certain terms and conditions. The drawing and the intellectual property incorporated therein or utilized remain the sole property of Ridge Top Aerial Technologies, LLC. Any reproduction or distribution other than as contemplated by the terms and conditions previously agreed to by the parties is strictly prohibited. Copyright 2018 Ridge Top Aerial Technologies, LLC All Rights Reserved

Property Information:	Customer information
Insured: Joseph Coniglio	Company/Adjuster: MSA Group
Address: 758 Frable Road Brodheadsville, PA 18322	Phone: (866) 593-4258
Property Type: Residential	Email: Deanj@msagroup.com
Date: 8/7/2018	Contact: Dean Smith
Order Number: 2018_RTAT00406	Website: N/A

Garage



SQ Feet:	911.69	Ridge:	25.00	Sqaures:	10%	10.33
Squares:	9.12	Hip:	0.00		15%	10.67
Perimeter:	122.94	Valley:	0.00		18%	11.00
Eave:	60.00	Rake:	63.00		20%	11.00